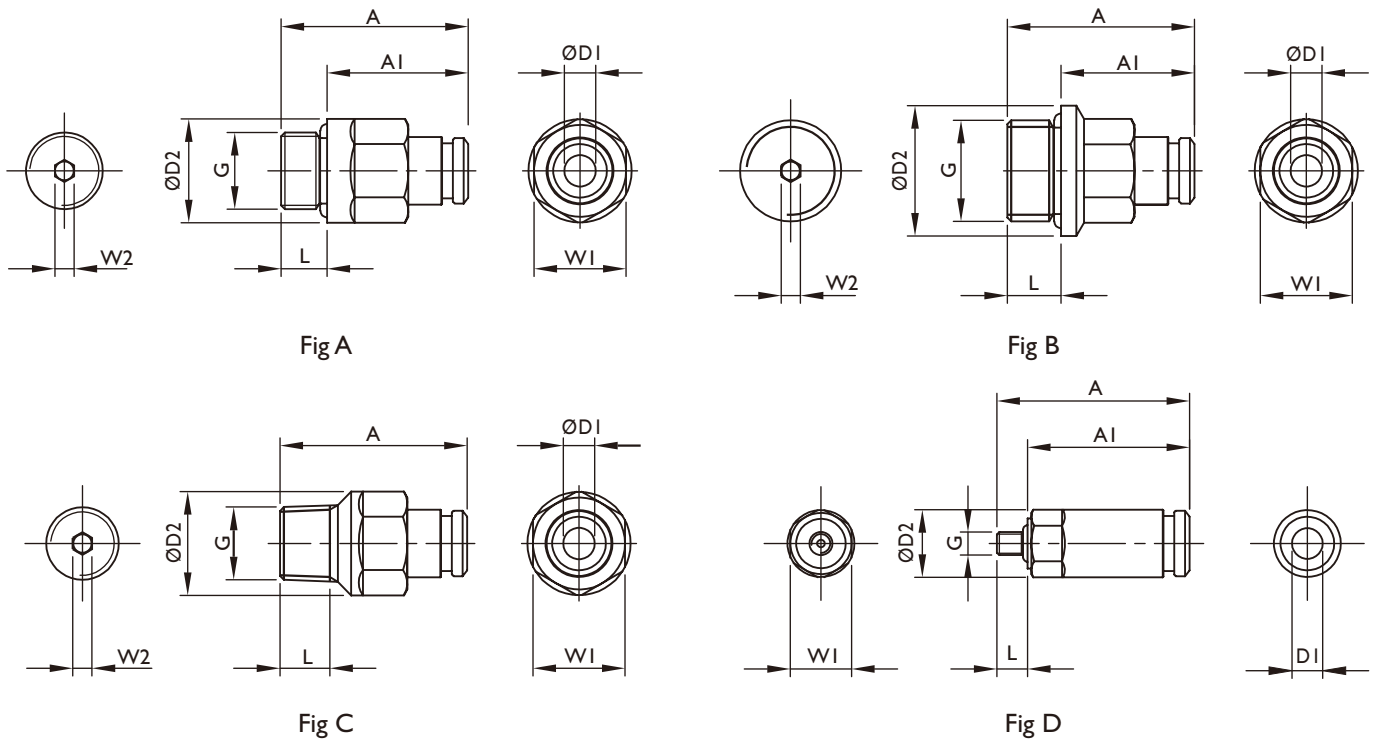


Connector

In-Line Connector



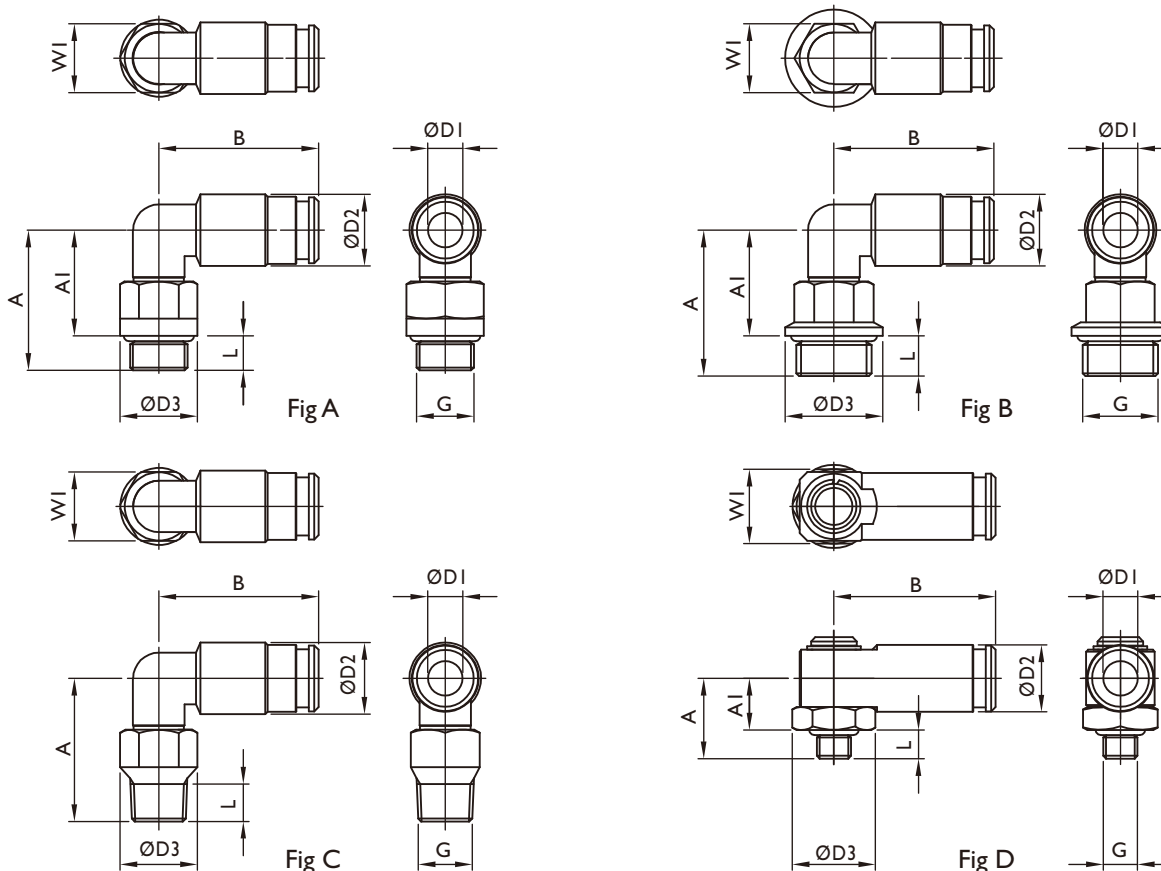
DI	D2	A	AI	G	L	W1	W2	Fig	Order Code	
									Copper (Nickel-Plating)	Stainless
4	8.8	25.1	21.1	M3 x 0.5	4	8	-	D	TB-401 ⁽¹⁾	TBS-401
4	11.5	26.1	21.1	M5 x 0.8	5	10	-	A	TB-402 ⁽¹⁾	TBS-402
4	11.5	26.1	21.1	M6 x 0.75	5	10	2.5	A	TB-403	TBS-403
4	11.5	26.1	21.1	M6 x 1.0	5	10	2.5	A	TB-404	TBS-404
4	11.5	24.4	18.4	M8 x 1.0	6	10	2.5	A	TB-405	TBS-405
4	13.5	24.4	18.4	M10 x 1.0	6	12	2.5	A	TB-406	TBS-406
4	13.5	24.4	18.4	G 1/8"	6	12	2.5	A	TB-407	TBS-407
6	13.5	30.1	25.1	M5 x 0.8	5	12	-	A	TB-601 ⁽¹⁾	TBS-601
6	13.5	30.1	25.1	M6 x 0.75	5	12	3	A	TB-602	TBS-602
6	13.5	30.1	25.1	M6 x 1.0	5	12	3	A	TB-603	TBS-603
6	13.5	30.9	24.9	M8 x 1.0	6	12	4	A	TB-604	TBS-604
6	13.5	28.4	22.4	M10 x 1.0	6	12	4	A	TB-605	TBS-605
6	13.5	28.4	22.4	G 1/8"	6	12	4	A	TB-606	TBS-606
6	17	29.4	22.4	G 1/4"	7	12	4	B	TB-607	TBS-607
6	13.5	29.9	-	R 1/8"	6.5	12	4	C	TB-608	TBS-608
8	15.2	33.3	27.3	M10x1.0	6	14	5	A	TB-801	TBS-801
8	15.2	33.3	27.3	G 1/8"	6	14	5	A	TB-802	TBS-802
8	17	33.3	26.3	G 1/4"	7	14	5	B	TB-803	TBS-803

(1) Material : Carbon Steel (Nickel-Plating)

Operation Pressure : max. 80 bar

Operation Temperature : -30°C ~ +100°C

Right-Angle Connector



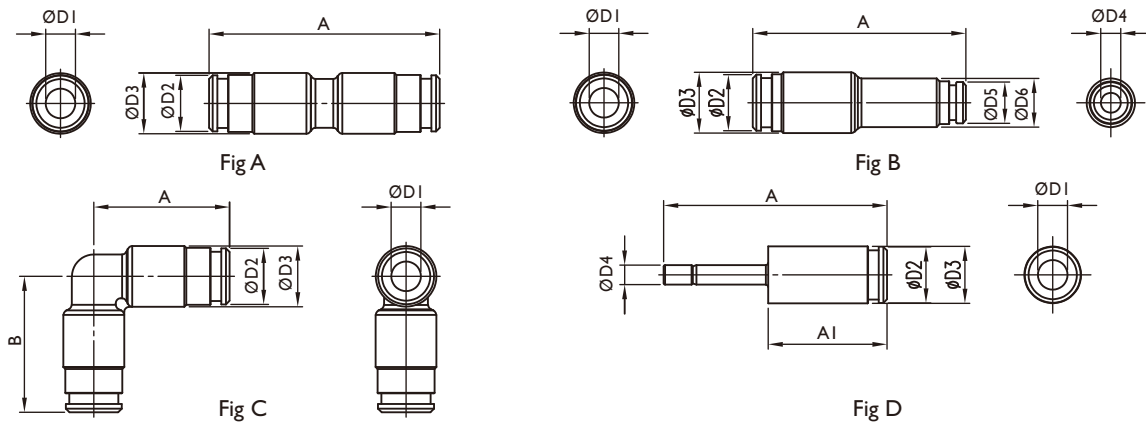
DI	D2	D3	A	AI	B	G	L	WI	Fig	Order Code	
										Copper (Nickel-Plating)	Stainless
4	10	11.5	18.7	14.7	22.4	M3 x 0.5	4	10	A	R-TB-401 ⁽¹⁾	R-TBS-401
4	10	11.5	20.7	15.7	22.4	M5 x 0.8	5	10	A	R-TB-402 ⁽¹⁾	R-TBS-402
4	10	11.5	20.7	15.7	22.4	M6 x 0.75	5	10	A	R-TB-403	R-TBS-403
4	10	11.5	20.7	15.7	22.4	M6 x 1.0	5	10	A	R-TB-404	R-TBS-404
4	10	13.5	23.2	17.2	22.4	M8 x 1.0	6	12	A	R-TB-405	R-TBS-405
4	10	13.5	24.2	18.2	22.4	M10 x 1.0	6	12	A	R-TB-406	R-TBS-406
4	10	13.5	24.2	18.2	22.4	G 1/8"	6	12	A	R-TB-407	R-TBS-407
4	8.8	14.5	14	9	24.2	M6 x 1.0	5	13	D	R-TB-408	R-TBS-408
4	8.8	14.5	15	9	24.2	M8 x 1.0	6	13	D	R-TB-409	R-TBS-409
4	8.8	14.5	17.5	9	24.2	R 1/8"	8.5	13	D	R-TB-410	R-TBS-410
6	12.5	11.5	21	16	27.9	M5 x 0.8	5	10	A	R-TB-601 ⁽¹⁾	R-TBS-601
6	12.5	11.5	21	16	27.9	M6 x 0.75	5	10	A	R-TB-602	R-TBS-602
6	12.5	11.5	21	16	27.9	M6 x 1.0	5	10	A	R-TB-603	R-TBS-603
6	12.5	13.5	23.5	17.5	27.9	M8 x 1.0	6	12	A	R-TB-604	R-TBS-604
6	12.5	13.5	24.5	18.5	27.9	M10 x 1.0	6	12	A	R-TB-605	R-TBS-605
6	12.5	13.5	24.5	18.5	27.9	G 1/8"	6	12	A	R-TB-606	R-TBS-606
6	12.5	17	25.5	18.5	27.9	G 1/4"	7	12	B	R-TB-607	R-TBS-607
6	12.5	13.5	25	-	27.9	R 1/8"	6.5	12	C	R-TB-608	R-TBS-608
6	11.7	14.5	14	9	28.2	M6 x 1.0	5	13	D	R-TB-609	R-TBS-609
6	11.7	14.5	15	9	28.2	M8 x 1.0	6	13	D	R-TB-610	R-TBS-610
6	11.7	14.5	17.5	9	28.2	R 1/8"	8.5	13	D	R-TB-611	R-TBS-611
8	14.5	14.5	25.5	19.5	29.8	M10 x 1.0	6	13	A	R-TB-801	R-TBS-801
8	14.5	14.5	25.5	19.5	29.8	G 1/8"	6	13	A	R-TB-802	R-TBS-802
8	14.5	17	25.5	19.5	29.8	G 1/4"	7	13	B	R-TB-803	R-TBS-803

(1) Material : Carbon Steel (Nickel-Plating)

Operation Pressure : max. 80 bar

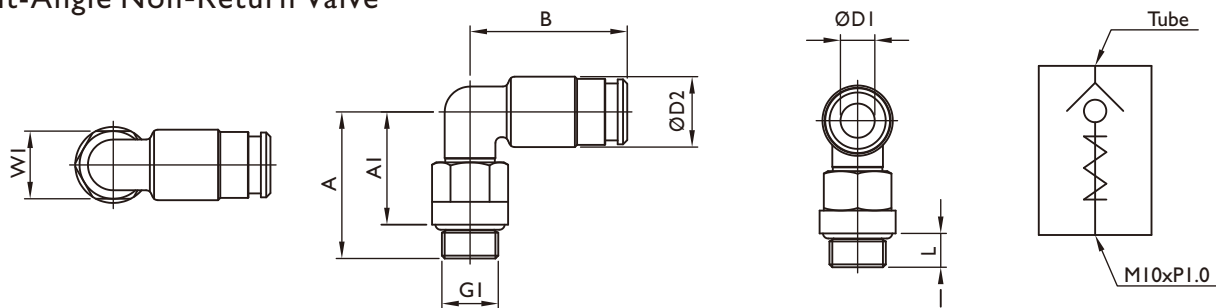
Operation Temperature : -30°C ~ +100°C

Tube Connector



D1	D2	D3	D4	D5	D6	A	AI	B	Fig	Order Code	
										Copper (Nickel-Plating)	Stainless
4	8.5	10.0	-	-	-	39.8	-	-	A	C-TB-401	C-TBS-401
4	8.5	10.0	-	-	-	22.4	-	22.4	C	C-TB-402	C-TBS-402
4	8.5	8.8	6	-	-	45.4	20.4	-	D	C-TB-403	C-TBS-403
6	11.5	12.5	-	-	-	47.8	-	-	A	C-TB-601	C-TBS-601
6	11.5	12.5	4	8.5	10	43.8	-	-	B	C-TB-602	C-TBS-602
6	11.5	12.5	-	-	-	27.9	-	27.9	C	C-TB-603	C-TBS-603
6	11.5	11.7	4	-	-	45.9	24.4	-	D	C-TB-604	C-TBS-604
8	13.5	15	6	11.5	12.5	49.2	-	-	B	C-TB-801	C-TBS-801
8	13.5	13.8	6	-	-	51.3	26.3	-	D	C-TB-802	C-TBS-802

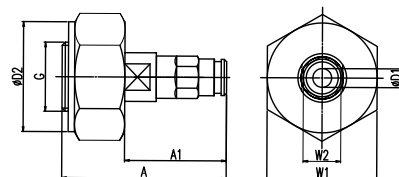
Right-Angle Non-Return Valve



D1	D2	A	AI	B	GI	L	WI	Order Code	
								Copper (Nickel-Plating)	Stainless
4	10	24.2	18.2	22.4	M10 x 1.0	6	12	RV-TB-401	RV-TBS-401
6	12.5	26	20	27.9	M10 x 1.0	6	12	RV-TB-601	RV-TBS-601
8	14.5	27	21	29.8	M10 x 1.0	6	13	RV-TB-801	RV-TBS-801

Function of Non-Return Valve: Avoid of backflow, Resistance of pressure.

Oil Filling Connector



D1	D2	A	AI	G	W1	W2	Order Code
4	35	48.4	28.4	M22 x 2.0	35	12	TB-4-22
6	35	52.4	32.4	M22 x 2.0	35	12	TB-6-22
8	35	57.3	37.3	M22 x 2.0	35	14	TB-8-22

The oil filling connector is to apply for refilling of lubricant.

High kinematic viscosity of lubricant will reduce the pumping distance to the device or facility.

Pay attention to kinematic viscosity by refilling of Non-APEX lubricant.