

Performance of LUG 400

| Technical Specification | |
|------------------------------------|---|
| Dimension (Width x Height x Depth) | 167 mm x 196 mm x 94 mm |
| Weight (No Lubricant) | 1780 g |
| Volume of Lubricant | 400 cm ³ |
| Lubricant Type | Grease up to NLGI 3 |
| Pump | Piston Pump |
| Operating Pressure | Max. 70 bar (1,000 psi) |
| Delivery Volume Per Pulse / Stroke | 0.15 cm ³ |
| No. of Outlet | Max. 4 Tube Connectors ⁽¹⁾ |
| No. of Lubrication Position | Max. 16 ⁽²⁾ |
| Outlet Connection | PA Tube |
| Operating Voltage | 24V DC |
| Current Consumption | I _{max} 500 mA |
| Connecting Plug | M12 X 1, 5-PIN |
| IP Class | IP65 |
| Operating Temperature | -25° C ~ 70° C |
| Control | PLC, Hand-Set Controller ⁽³⁾ |
| Pressure Monitoring | System Pressure Measurement |
| Oil Fill Monitoring | Reed Switch |

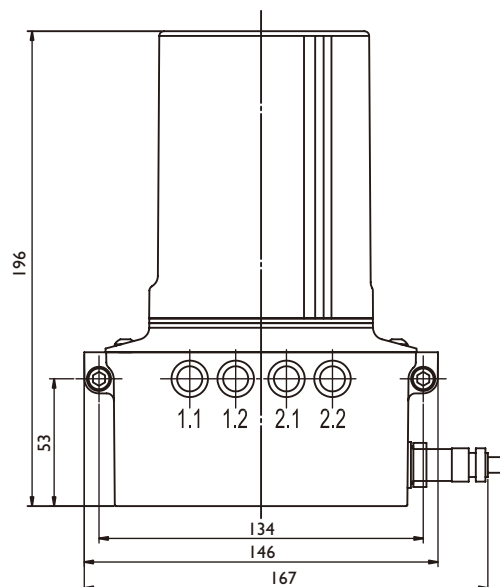
Lubricator

| No. of Outlet | No. of Pump | No. of Lubrication Position ⁽²⁾ | Order Code |
|---------------|-------------|--|------------|
| 1 | 1 | max. 4 | LUG-411 |
| 2 | 1 | max. 8 | LUG-412 |
| 2 (1 + 1) | 2 | max. 8 | LUG-422 |
| 3 (2 + 1) | 2 | max. 12 | LUG-423 |
| 4 (2 + 2) | 2 | max. 16 | LUG-424 |

(1) Connector Dimension M10.

(2) Requiring use of a Distributor.

(3) Hand-Set is not included in lubricator and is to order separately.



Performance of LUG 2000

| Technical Specification | |
|------------------------------------|--|
| Dimension (Width x Height x Depth) | 197 mm x 286.5 mm x 175 mm |
| Weight (No Lubricant) | 4000 g |
| Volume of Lubricant | 2000 cm ³ |
| Lubricant Type | Oil |
| Pump | Piston Pump |
| Operating Pressure | Max. 70 bar (1,000 psi) |
| Delivery Volume Per Pulse / Stroke | 0.15 cm ³ |
| No. of Outlet | Max. 10 (In-Line Connector) ⁽¹⁾ |
| No. of Lubrication Position | Max. 40 ⁽²⁾ |
| Outlet Connection | PA Tube |
| Operating Voltage | 24V DC |
| Current Consumption | I _{max} ≤ 500 mA |
| Connecting Plug | M12 x 1, 5-PIN |
| IP Class | IP65 |
| Operating Temperature | -25° C ~ 70° C |
| Control | PLC, Hand-Set Controller ⁽³⁾ |
| Pressure Monitoring | System Pressure Measurement |
| Oil Fill Monitoring | Reed Switch |

Lubricator

| No. of Outlet | No. of Pump | No. of Lubrication Position ⁽²⁾ | Order Code |
|---------------|-------------|--|------------|
| 2 | 1 | max. 8 | LUG-2102 |
| 4 | 2 | max. 16 | LUG-2204 |
| 6 | 3 | max. 24 | LUG-2306 |
| 8 | 4 | max. 32 | LUG-2408 |
| 10 | 5 | max. 40 | LUG-2510 |

(1) Connector Dimension M10.

(2) Requiring use of a Distributor.

(3) Hand-Set is not included in lubricator and is to order separately.

